

Instructions Conversion Kit Q-Series from Propane gas to Natural Gas

For the contractor

1. Introduction

Please read these instructions carefully!

 **WARNING**

WARNING

This conversion kit shall be installed by a qualified service agency in accordance with the manufacturer's instructions and all applicable codes and requirements of the authority having jurisdiction. If the information in these instructions is not followed exactly, a fire, an explosion or production of carbon monoxide may result causing property damage, personal injury or loss of life. The qualified service agency is responsible for the proper installation of this kit. The installation is not proper and complete until the operation of the converted appliance is checked as specified in the manufacturer's instructions supplied with the kit.

 **CAUTION**

CAUTION

The gas supply shall be shut off prior to disconnecting the electrical power, before proceeding with the conversion.



These instructions belong to the Natural Gas Conversion Kit.

These conversion instructions are to be used together with the installation instructions for the standard unit. The subjects mentioned in these instructions deviates from the standard installation manual. This means that these subjects in the standard manual are not relevant.

These instructions describes the conversion of the following boilers:

Type			Kit no.	Required input rates	
<i>Propane</i>	<i>into</i>	<i>Nat.gas</i>		<i>BTU/hr</i>	<i>kW</i>
Q85SP	into	Q85SN	804000025	85,000	25
Q130SP	into	Q130SN	804000026	130,000	38
Q175SP	into	Q175SN	804000027	175,000	51
Q175CP	into	Q175CN	804000029	175,000	51
Q205SP	into	Q205SN	804000028	205,000	60

Each kit is suitable for only 1 of these boiler types. Check that the label on the packaging matches the boiler model.



Do NOT use these parts for another boiler type than indicated on the packaging. This may result in improper functioning and damage of the boiler.



Rinnai®

EXPERIENCE OUR INNOVATION™

Address: 103 International Drive, Peachtree City, GA, 30269
Toll-free: 1-800-621-9419 • Fax: 678-829-1666 • www.rinnai.us

NOTICE! Save these instructions for later use.

2. Safety considerations

For use in Canada the conversion kit shall be carried out in accordance with the requirements of the provincial authorities having jurisdiction and in accordance with the requirements of the CAN-B149.1 and CAN1-B149.2 Installation Code. See also E.I.V.

Please observe the following safety instructions.

2.1 Hazard definitions

The following defined terms are used throughout the documentation to bring attention to the presence of hazards of various risk levels. Notices give important information concerning the operation of the product.



DANGER

DANGER:

Indicates the presence of hazards that will cause severe personal injury, death or substantial property damage.



WARNING

WARNING:

Indicates the presence of hazards that can cause severe personal injury, death or substantial property damage.



CAUTION

CAUTION:

Indicates presence of hazards that will or can cause minor personal injury or property damage.



CAUTION

CAUTION:

Risk of electric shock. Indicates presence of hazards due to electric shock.



NOTICE

NOTICE:

Indicates special instructions on installation, operation or maintenance that are important but not related to personal injury or property damage.

2.2 Observe the following symbols



DANGER

DANGER:

Due to explosion of gas.

- Work only on gas components when you have a license to do so.
- Note that the assembly of gas and vent connections, the initial start-up, the electrical connections, the maintenance and service can only be performed by a licensed service contractor or technician.



DANGER

DANGER:

Due to electricity

- Prior to doing any work on the heating system, disconnect all electrical power to the appliance at the emergency switch.
- It is NOT sufficient to shut off only the appliance control.

3. Scope of the delivery

- Gasket (black rubber)
- Gasket gas line-gas valve (yellow rubber)
- PCB with function keys and display with programmed parameters
- Labels:
 - a. Gas Conversion Sticker
 - b. Conversion Kit Data Label
 - c. Conversion Label
 - d. High Altitude Label
- These Instructions Natural Gas Conversion Kit

4. Converting a Propane gas boiler to Natural gas boiler

PARA	Value Valeur
02	
31 (Solo)	
01*	
05*	
06*	
07*	
14*	

* Write these values here in case PARA 02 is set to 0 (Code 123, see installation manual)

Confirm that the conversion kit is applicable to the boiler type. The type mentioned on the package sticker must be the same as the type mentioned on the type plate on the boiler.

Before converting write down the parameters in the table beside here. These can be specific adjustments for the installation (see installation manual).

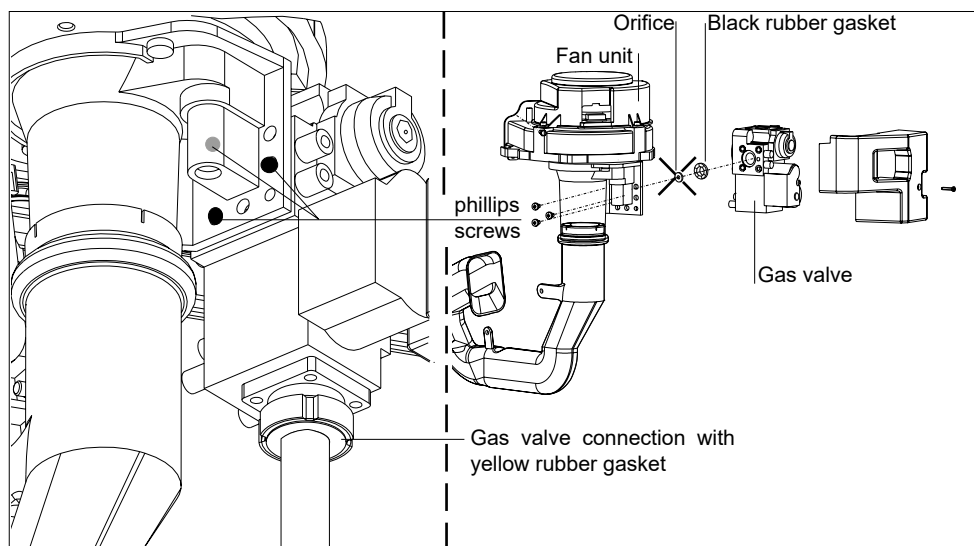
Converting the boiler to Natural gas should be completed in the following steps:

Step 1: Removing the orifice

- Switch off the programs CH, DHW and pump and switch off the power supply;
- Close the gas valve;
- Take off the black cover of the gas valve and disconnect the electrical wiring from the gas valve;
- Unscrew the connection of the gasline to the gas valve and take out the yellow gasket;
- Unscrew the 3 cross head screws of the venturi and the gas valve and take out the gas valve (see figure 2);
- Take out the black gasket with orifice from the gas valve;
- Place the new black rubber gasket; **Do not replace the orifice;**
- Refit the gas valve against the fan unit and take note that the rubber gasket remain in its place;
- Refit the removed parts in reverse order (with the exception of the black gas valve cover) and use a new yellow rubber gasket in the gas valve connection;



Following maintenance or other activities; always check the installation of all parts through which gas flows (using leak detection agent).



Removing the orifice

figure 2



Replacing PCB fig. 3

Step 2: Replacing the PCB with function keys and display

The PCB must be replaced as follows:

- Open the door of the Control Tower;
- Remove the flat cable from the back side of the PCB in the door;
- Unscrew the 3 cross head screws from the PCB (see fig. 3);
- Remove the PCB and place the new PCB from the kit in its place and attach it with the 3 screws;
- Insert the flat cable to the connection on the PCB;
- Close the door of the Control Tower.

Step 3: Gas conversion stickers

The instructions for placing all markings provided are as follows:

- a. Place the Gas Conversion Sticker over the existing data plate of the boiler.
- b. Fill out the Conversion Kit Data Label and place it next to the data plate.
- c. Place the Conversion Label over the green propane gas label on the front of the boiler.



a. Gas Conversion Sticker over data plate (example)



b. Gas Conversion Kit Data Label (example)



c. Conversion Label

The boiler is now ready for putting into operation and adjusting the boiler. Proceed with following chapter.

5. Putting into operation and adjusting the boiler

5.1 Testing for gas leaks

Prior to start-up of the boiler you must check the external tightness of the gas supply valve and confirm this in the start-up report.



WARNING

- **Cover endangered positions before leak testing.**
- **Do not spray the leak testing agent onto cables, plugs, electrical connection lines or electronic circuit boards. Do not allow it to drip onto them either.**




DANGER

Leaks may be caused to pipes and screw connections during commissioning and maintenance activities.


- **Carry out a proper leak test.**
- **Only use approved leak detection agents for leak detection.**
- Disconnect the heating system from the power supply.

- Check the exterior tightness of new conduit sections up to and including the direct sealing point on the gas burner fitting. The maximum test pressure allowed on the input of the gas burner fitting is 14 inch W.C. (35mbar).

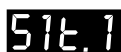


- Switch on the power supply. The text  will now show on the display which means that the Natural gas data in the display can be copied to the boiler control;
- Press the "Store" button for 2 sec. to activate the copy function. The Natural gas parameters will now be copied to the boiler control;



- The display will show ;
- **Press the reset button once and check the boiler type indication on the display during starting up. This indication should be similar as shown in table 1;**

Example:





- **Adjust, when necessary, the parameters which are written on previous page again;**
- Put the boiler into operation.

The boiler is ready to be adjusted.

5.2 O₂ adjustments

Check the O₂ adjustment and adjust, when necessary, according to the specifications in table 1 and according to the procedure described in chapter 6.

6. Canadian High Altitude Installation Setting Procedure (O₂)



NOTICE

for Canada Only: 610 - 1372 m (2000 - 4500 ft)



NOTICE

The O₂ percentage setting is required to be checked at commissioning, maintenance and faults and adjusted if needed.

The O₂ percentage is required to be checked and adjusted after a conversion from NG to LP or from LP to NG. This process must be done with a calibrated combustion analyzer that has been set to the correct gas type.

The O₂ check consists of 2 steps or, if necessary, 3 steps:

- Step 1: Check on full load**
- Step 2: Check on low load**
- Step 3: Adjustment (if necessary).**



Step 1: O₂ check on full load

The O₂ setting is preset at the factory, for all equipment units. A calibrated O₂ check must be carried out during commissioning.

- Put the boiler into operation and take care that it can deliver its heat.

Set the full load

You can set the full load of the boiler as follows:

- Press the MODE-button for 5 seconds.
 - The display will show COdE followed by an arbitrary number;
 - Select by means of the  or the  button the code C123;
 - Press the Store-button to confirm the code (code blinks 1 x);
 - Press the MODE-button until SERV is shown;
 - Press the STEP-button once until 1 is shown;
- alternately 1 and OFF will be shown.

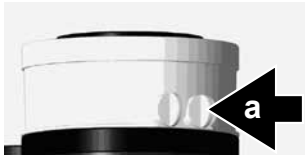
 mode



 store

 mode

 step  



checkpoint O₂ figure 4

- Calibrate the O₂ meter ;
- Place the probe of the O₂ meter into the check point (see fig. 4);
- Press the button until the maximum value (in kW) is achieved;
The boiler will burn on full load (value on display in kW)
value in BTU/hr = x3415
- Check whether the O₂ values that are listed below correspond to the measured value.

After this setting has been made, once more test the O₂ value at low load (see Step 2 on page 6). If there are any changes in the result, then these must be corrected (see Step 3 on page 7)

i NOTICE

Choose the right O₂ value according the kind of gas (Natural Gas or Propane Gas). Wrong adjustment may result causing property damage, personal injury or death.

O ₂ check on full load (Step 1)		
Full load	Natural Gas	Propane Gas
O ₂	Nominal 4.7%	Nominal 5.1%
	Minimum 3.6%, maximum 5.5%	Minimum 4.1%, maximum 5.8%

Values valid with closed air box.

Step 2: O₂ check on low load

Setting the low load

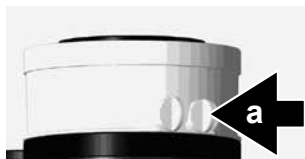
The low load of the boiler can be set by you as follows:

- Press the button until the minimum value (in kW) is achieved;
The boiler will burn on low load (value on display in kW)
value in BTU/hr = x3415

i NOTICE

When adjusting from max. to min. load it is advisable to stop at medium load to allow the boiler to stabilize. Adjusting quickly from max. to min. could force the boiler into an error state.

- Use the measuring tool to carry out a O₂ check. The detected values must lie in the measuring range shown below.



checkpoint O₂ figure 4

The O₂ value at low load must lie higher than the O₂ value at full load. The measuring procedure must be carried out, until a constant measuring result is achieved. Please take up contact with Rinnai, if the values should lie outside of the applicable tolerances.

Switching off

- Press the button until **OFF** is shown (keep button pressed).
With this the procedure has ended.

i NOTICE

Choose the right O₂ value according the kind of gas (Natural Gas or Propane Gas). Wrong adjustment may result causing property damage, personal injury or death.

O ₂ check on low load (Step 2)		
Low load	Natural Gas	Propane Gas
O ₂	Minimal 0.5% higher than measured on full load	Minimal 0.2% higher than measured on full load
	Maximum 7.5%	Maximum 7.3%

Values are valid with closed cover/air box.

Technical specifications

Boiler type		Q-Series				
		Combi Q175CN Q175CP	Q85SN Q85SP	Q130SN Q130SP	Q175SN Q175SP	Q205SN Q205SP
Input CH	BTU/hr kW	175,000 51	85,000 25	130,000 38	175,000 51	205,000 60
Input DHW	BTU/hr kW	175,000 51	N/A N/A	N/A N/A	N/A N/A	N/A N/A
Heating capacity	BTU/hr kW	162,000 47.5	78,000 22.9	119,000 34.9	162,000 47.5	186,000 54.5
O ₂ (at full load)	%	Natural gas: 4.4 - 4.7 (Propane: 4.8 - 5.1)				
Electr. power consumption max.	W	210	137	144	210	234
Electr. power consumption stand by	W	14				
Current	V/Hz	120Vac/60Hz				
Fuse rating	A	5AF & 4AT				
Degree of protection acc. EN 60529		IPX0D				
Weight (empty)	lbs / kg	196 / 89	110 / 50	117 / 53	141 / 64	141 / 64
Water content CH	gallon / liter	1.8 / 7	0.9 / 3.5	1.3 / 5	1.8 / 7	1.8 / 7
Water content DHW	gallon / liter	3.7 / 14				
Water content Plumbing Kit	gallon / liter	0.74 / 2.8	0.58 / 2.2		0.74 / 2.8	
After run time pump CH	min	5				
After run time pump DHW	min	1				
P _{MS} Water pressure min.-max.	PSI / bar	14-43 / 1-3				
P _{MW} Water pressure DHW max.	PSI / bar	150 / 10	n.a.	n.a.	n.a.	n.a.
Flow temperature max.	°F / °C	176 / 80				
Pump type		UPER 20-78	UPER 20-58	UPER 20-78	UPER 20-78	UPER 20-78
Available pump height CH (ΔT = 25K)	PSI / kPa	2.9 / 20	5.2 / 36	3.0 / 21	2.9 / 20	5.5 / 38
Approvals		ASME, CSA	ASME, CSA	ASME, CSA	ASME, CSA	ASME, CSA
DHW flow (at ΔT50°F)	gallon/min	6.2				
DHW flow (at ΔT27.8°C)	liter/min	23.5				
DHW flow (at ΔT75°F)	gallon/min	4.1				
DHW flow (at ΔT41.7°C)	liter/min	15.5				
Max. DHW flow rate	gallon/min liter/min	6.2 23.5				
Pressure difference DHW	PSI / bar	4.3 / 0.3				
CSA number		2183087				
CRN number		8101.7CL				

Natural Gas Conversion Kit Parts						
Gasket Gas valve - venturi	809000017	X	X	X	X	X
Gasket Fitting 3/4" Gas valve	809000062	X	X	X	X	X
Display MCBA Q-Series		NAT 804000029 Q175CN	NAT 804000025 Q85SN	NAT 804000026 Q130SN	NAT 804000027 Q175SN	NAT 804000028 Q205SN
Gas Conversion Sticker		Q175CN	Q85SN	Q130SN	Q175SN	Q205SN
Conversion Kit label	8U340700	X	X	X	X	X
Conversion Kit Data Label		Q175CN	Q85SN	Q130SN	Q175SN	Q205SN
Instructions Sheets Conversion Kit	8U607100	X	X	X	X	X
Display indication at start-up		51t.1	25.1	38.1	51.1	60.1

Technical specifications and parts

table 1

Instructions Kit de Conversion Série Q du gaz Propane en gaz Naturel

Pour l'entrepreneur

1. Introduction

Veillez lire attentivement ces instructions!

AVERTISSEMENT

AVERTISSEMENT

Cette trousse de conversion ne doit être installée que par le représentant d'un organisme agréé et conformément aux instructions du fabricant et aux codes et exigences en vigueur de l'autorité compétente. Quiconque ne respecte pas à lettre les instructions du présent guide risque de déclencher un incendie, une explosion ou le dégagement de monoxyde de carbone entraînant des dommages matériels, des lésions corporelles ou la mort. Le professionnel agréé qui effectue les travaux est responsable de l'installation en règle de ce kit. L'installation n'est pas terminée tant que le fonctionnement de l'appareil converti n'a pas été vérifié selon la notice du fabricant qui accompagne le kit.

ATTENTION

ATTENTION

Avant d'effectuer la conversion, coupez d'abord l'alimentation en gaz, ensuite, coupez le courant électrique.

Ces instructions font partie du kit de conversion en gaz naturel.

Ces instructions de conversion doivent être utilisées conjointement avec les instructions d'installation pour l'appareil standard. Les sujets mentionnés dans ces instructions diffèrent du manuel d'installation standard. Cela signifie que ces sujets dans le manuel standard ne sont pas pertinents.

Ces instructions décrivent la conversion des chaudières suivantes:



Type			Kit no.	Débit calorifique requis	
Propane	en	gaz Nat.		BTU/h	kW
Q85SP	en	Q85SN	804000025	85,000	25
Q130SP	en	Q130SN	804000026	130,000	38
Q175SP	en	Q175SN	804000027	175,000	51
Q175CP	en	Q175CN	804000029	175,000	51
Q205SP	en	Q205SN	804000028	205,000	60

Chaque kit ne convient que pour un seul de ces types de chaudières. Vérifiez si l'étiquette sur l'emballage correspond bien au modèle de chaudière.



N'utilisez pas ces pièces pour un autre type de chaudière que celle indiquée sur l'emballage. Il peut en résulter un dysfonctionnement et des dommages à la chaudière.

AVIS! Conservez ces instructions pour une utilisation ultérieure.

2. Les considérations de sécurité

Pour une utilisation au Canada, le kit de conversion doit répondre aux exigences des autorités provinciales compétentes et aux exigences de la CAN-B149.1 et le code d'installation CAN1-B149.2. Voir aussi E.I.V.

Veillez respecter les consignes de sécurité suivantes.

2.1 Définitions des dangers

Les termes définis suivants sont utilisés dans la documentation pour attirer l'attention sur la présence de dangers de différents niveaux de risque. Les avis fournissent des informations importantes concernant le fonctionnement du produit.



DANGER

DANGER:

Indique la présence de dangers qui peuvent provoquer des blessures corporelles graves, la mort ou des dégâts matériels importants.



AVERTISSEMENT

AVERTISSEMENT :

Indique la présence de dangers qui peuvent provoquer des blessures corporelles graves, la mort ou des dégâts matériels importants.



ATTENTION

ATTENTION :

Indique la présence de dangers qui vont ou peuvent provoquer des blessures corporelles mineures ou des dégâts matériels.



ATTENTION

ATTENTION :

Risque de choc électrique. Indique la présence de dangers dus à un choc électrique.



REMARQUE

REMARQUE :

Indique des instructions particulières sur l'installation, le fonctionnement ou la maintenance qui sont importantes mais non liées à des blessures corporelles ou des dégâts matériels.

Observez les symboles suivants



DANGER

DANGER :

Dû au risque d'explosion de gaz.

- Ne travaillez uniquement sur les composants gaz que si vous êtes agréé pour le faire.
- Notez que l'assemblage des raccords gaz et ventilation, la première mise en service, les connexions électriques, la maintenance et l'entretien ne peuvent être effectués que par un professionnel agréé.



DANGER

DANGER :

Dû à l'électricité

- Avant toute intervention sur le système de chauffage, coupez le courant électrique de l'appareil avec l'interrupteur d'urgence.
- Il ne suffit pas de couper seulement la commande de l'appareil.

3. Contenu de la livraison

- Joint en caoutchouc (noir)
- Joint en caoutchouc de la conduite gaz - vanne gaz (jaune)
- Carte de circuits imprimés avec touches de fonctions et afficheur avec paramètres programmés
- Étiquettes :
 - a. Étiquette conversion à gaz
 - b. Étiquette données du kit de conversion
 - c. Étiquette conversion
 - d. Étiquette haut altitude
- Présentes instructions sur le kit de conversion en gaz naturel

4. Conversion d'une chaudière au propane à gaz naturel

PARA	Value	Valeur
02		
31 (Solo)		
01*		
05*		
06*		
07*		
14*		

* Inscrivez ces données ici si PARA 02 est réglé à 0 (Code 123, voir le manuel d'installation)

Vérifiez si le kit de conversion convient pour le type de chaudière. Le type mentionné sur l'étiquette de l'emballage doit être le même que le type mentionné sur la plaque signalétique de la chaudière.

Avant de convertir, notez les paramètres dans le tableau ci-contre. Ceux-ci peuvent être des réglages spécifiques pour l'installation (voir le manuel d'installation).

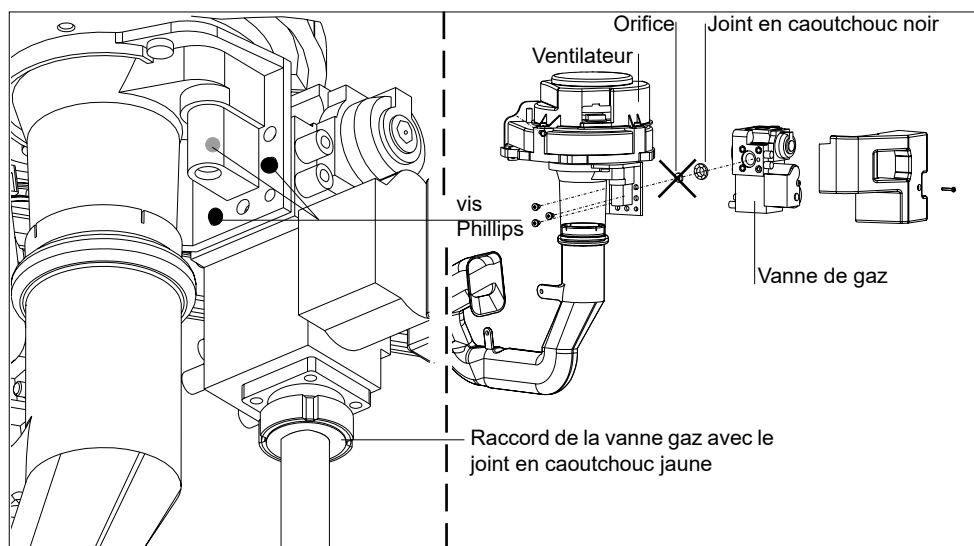
Pour la conversion de la chaudière en gaz naturel suivez les étapes suivantes :

Étape 1: Retirer l'orifice

- Éteignez les programmes CC, ECS et la pompe et coupez le courant;
- Fermez la vanne gaz;
- Enlevez le couvercle noir du robinet à gaz et débranchez le câblage électrique de la vanne gaz;
- Dévissez le raccordement de la conduite gaz à la vanne gaz et retirez le joint d'étanchéité jaune;
- Dévissez les 3 vis cruciformes du venturi et de la vanne gaz et retirez la vanne gaz (voir la fig. 2);
- Retirez le joint noir de la vanne gaz et remplacez-le par un nouveau;
- Placez le nouveau joint en caoutchouc noir; **Ne remplacez pas l'orifice.**
- Remontez la vanne gaz au ventilateur et veillez à ce que le joint en caoutchouc et l'orifice restent en place;
- Remontez les pièces enlevées dans l'ordre inverse (à l'exception du couvercle noir de la vanne gaz) et utilisez un nouveau joint en caoutchouc jaune au raccordement de la vanne gaz;



Après l'entretien ou d'autres activités, vérifiez toujours toutes les pièces de l'installation à travers lesquelles circule le gaz (en utilisant un agent de détection des fuites).



Installation de l'orifice

figure 2



Remplacement de la carte fig. 3

Étape 2: Remplacement de la carte de circuits imprimés avec les touches de fonction et l'afficheur

La carte de circuits imprimés doit être remplacée comme suit:

- Ouvrez la porte du boîtier de commande;
- Retirez le câble plat à l'arrière de la carte de circuits imprimés qui se trouve dans la porte;
- Dévissez les 3 vis cruciformes de la carte de circuits imprimés (voir fig. 3);
- Enlevez la carte de circuits imprimés et remplacez-la par la nouvelle carte de circuits imprimés du kit. Fixez-la avec les 3 vis;
- Introduisez le câble plat à la connexion dans la carte de circuits imprimés;
- Fermez la porte de la tour de contrôle.

Étape 3: Étiquettes de conversion gaz

Les instructions pour placer toutes les signalisations fournies sont les suivantes:



a. Étiquette de conversion gaz par-dessus la plaque signalétique (exemple)



b. Étiquette de données du kit de conversion gaz (exemple)



c. Étiquette de conversion

- a. Placez l'autocollant de la conversion gaz sur la plaque signalétique existante de la chaudière.
- b. Remplissez l'étiquette du kit de conversion et placez-la à côté de la plaque signalétique.
- c. Placez l'étiquette de conversion par-dessus l'étiquette verte de propane sur la façade de la chaudière.

La chaudière est maintenant prête pour la mise en service et le réglage de la chaudière. Continuez avec le prochain chapitre.

5. Mise en service et réglage de la chaudière

5.1 Test des fuites de gaz

Avant la mise en marche de la chaudière, vous devez vérifier l'étanchéité extérieure de la vanne gaz et confirmer cela dans le rapport de démarrage.



- Couvrez les points risqués avant le test de fuites.
- Ne pulvérisez pas l'agent de test de fuites sur les câbles, prises, lignes de connexion électrique ou cartes de circuits électroniques. Ne le laissez pas couler sur ceux-ci non plus.



Des fuites peuvent être causées aux tuyaux et raccords à vis lors de la mise en service et l'entretien.

- Effectuez un test de fuites approprié.
- N'utilisez que des agents agréés de détection de fuites agréés pour détecter les fuites.

- Coupez le courant du système de chauffage.

- Vérifiez l'étanchéité extérieure des nouvelles sections de conduites jusqu'à et y compris le point d'étanchéité direct sur le raccord du brûleur gaz. La pression de test maximale autorisée sur l'entrée du raccord du brûleur gaz est de 14 pouces C.E. (35mbar).

d--A

- Branchez le courant. Le texte **d--A** va maintenant s'afficher sur l'écran ce qui signifie que les données de gaz naturel à l'écran peuvent être copiées sur la commande de la chaudière;

Good

- Appuyez sur le bouton « Store » pendant 2 sec. pour activer la fonction de copie. Les paramètres de gaz naturel seront alors copiés sur la commande de la chaudière;

Exemple:

516.P



- Le message **Good** s'affichera;

Appuyez une fois sur la touche « reset » et vérifiez l'indication du type de chaudière sur l'écran pendant la mise en service. Cette indication doit être la même que celle indiquée dans le tableau 1;

- **Si nécessaire, réajustez, les paramètres qui sont écrits sur la page précédente;**
- Mettez la chaudière en service.

La chaudière est prête à être ajustée.

5.2 Réglages d'O₂

Vérifiez le réglage d'O₂ et si nécessaire, ajustez selon les spécifications dans le tableau 1 et selon la procédure décrite au chapitre 6.

6. Procédure de réglage canadienne d'une installation haute altitude (O₂)



REMARQUE

pour le Canada seulement: 610 - 1372 m (2000 - 4500 ft)



REMARQUE

Le réglage du pourcentage d'O₂ est nécessaire pour vérifié lors de la mise en service, de la maintenance et des pannes et ajusté si nécessaire.

Le pourcentage d'O₂ est nécessaire pour vérifié et ajusté après une conversion du gaz naturel au gaz propane ou du gaz propane au gaz naturel. Ce processus doit être effectué avec un analyseur de combustion calibré qui a été réglé sur le bon type de gaz.

Le contrôle O₂ se compose de 2 étapes ou, si nécessaire, 3 étapes:

Étape 1: Contrôle sur pleine charge

Étape 2: Contrôle sur faible charge

Étape 3: Réglage (si nécessaire)

Étape 1: Contrôle O₂ sur pleine charge

Pour tous les appareils, le réglage de l'O₂ est effectué en usine sur gaz naturel E. Une mesure de contrôle de l'O₂ calibré doit être effectuée à la mise en service.

- Assurez-vous que la chaudière fonctionne et qu'elle peut évacuer la chaleur qu'elle produit.

Réglage de la puissance maximale

Réglez la puissance maximale (pleine charge) de l'appareil comme suit :

- Appuyez sur la touche MODE pendant 5 secondes.
 - L'affichage indique CODE, suivi d'un nombre arbitraire ;
 - Sélectionnez le code C123 à l'aide de la touches + ou - ;
 - Appuyez sur la touche STORE pour confirmer le code (le code clignote 1 x) ;
 - Appuyez sur la touche MODE jusqu'à ce que SERV s'affiche ;
 - Appuyez une fois sur la touche STEP jusqu'à ce que 1 s'affiche ;
- 1 et OFF s'afficheront alternativement.

mode

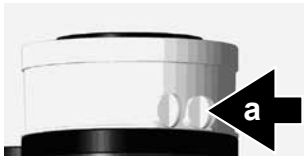
CODE C123

store

mode

step

1 OFF



point de contrôle O₂ figure 4

- Calibrez l'oxymètre ;
- Placez la sonde d'O₂ dans le point de contrôle (voir fig. 4);
- Appuyez sur la touche (+) jusqu'à ce que la valeur maximale (en kW) soit atteinte;
La chaudière va brûler à pleine charge (valeur affichée en kW)
valeur en BTU/hr = x3415
- Contrôlez que les valeurs d'O₂ ci-dessous correspondent avec la valeur mesurée.

Après le réglage, contrôlez à nouveau la valeur d'O₂ à la puissance minimale (voir étape 2 page 14). S'il y a eu de modifications, elles doivent être corrigées (voir étape 3 page 15).

i REMARQUE

Choisissez la bonne valeur d'O₂ selon le type de gaz (Gaz naturel ou Gaz propane). Un mauvais réglage peut provoquer des dégâts matériels, des blessures corporelles ou la mort.

Contrôle réglage O ₂ sur pleine charge (Étape 1)		
Pleine charge	Gaz naturel	Gaz propane
O ₂	Nominale 4.7%	Nominale 5.1%
	Minimale 3.6%, maximale 5.5%	Minimale 4.1%, maximale 5.8%

Les valeurs sont valide avec la boîte à aire fermé.

Contrôle O₂ sur charge minimale (Étape 2/3)

Étape 2: Contrôle O₂ sur faible charge

Régler la puissance minimale

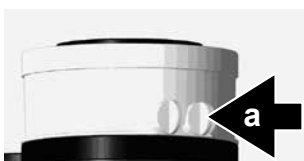
Réglez la puissance minimale (faible charge) de l'appareil comme suit :

- Appuyez sur la touche (-) jusqu'à ce que la valeur minimale (en kW) soit atteinte;
La chaudière va brûler à puissance minimale (valeur affichée en kW)
valeur en BTU/hr = x3415

i REMARQUE

Lors du réglage de la charge de max. à min., il est conseillé de s'arrêter à charge moyenne afin de permettre la chaudière de se stabiliser. Une réglage rapide de max. à min. pourrait forcer la chaudière dans un état d'erreur.

- Effectuez la mesure de contrôle de l'O₂ avec l'appareil de mesure. Les valeurs déterminées doivent se situer dans les plages de mesure ci-dessous.



point de contrôle O₂ figure 4

La valeur d'O₂ à puissance réduite doit toujours être supérieure à la valeur de O₂ à pleine puissance. La mesure doit être effectuée jusqu'à ce qu'un résultat de mesure constant se soit établi. Si les valeurs se trouvent en dehors de la tolérance, prenez contact avec Rinnai.

Fin de la procédure de mesure de d'O₂ :

- Appuyez sur le bouton (-) jusqu'à ce que **OFF** s'affiche (maintenez le bouton enfoncée). La procédure est alors terminée.

i REMARQUE

Choisissez la bonne valeur d'O₂ selon le type de gaz (Gaz naturel ou Gaz propane). Un mauvais réglage peut provoquer des dégâts matériels, des blessures corporelles ou la mort.

Contrôle réglage O ₂ sur faible charge (Étape 2)		
Faible charge	Gaz naturel	Gaz propane
O ₂	Au moins 0.5 % plus élevée que celle mesurée à charge maximale	Au moins 0.2 % plus élevée que celle mesurée à charge maximale
	Maximale 7.5%	Maximale 7.3%

Les valeurs sont valide avec la boîte à aire fermé.

Spécifications techniques

Type de chaudière		Séries Q				
		Combi Q175CN Q175CP	Q85SN Q85SP	Q130SN Q130SP	Q175SN Q175SP	Q205SN Q205SP
Entrée CC	BTU/hr	175,000	85,000	130,000	175,000	205,000
	kW	51	25	38	51	60.0
Entrée ECS	BTU/hr	175,000	N/A	N/A	N/A	N/A
	kW	51	N/A	N/A	N/A	N/A
Capacité de chauffage	BTU/hr	162,000	78,000	119,000	162,000	186,000
	kW	47.5	22.9	34.9	47.5	54.5
O ₂ (à pleine charge)	%	Gaz Naturel: 4.4 - 4.7 (Gaz Propane: 4.8 - 5.1)				
Consommation électrique maximum	W	210	137	144	210	234
Consommation électrique en veille	W	14				
Type courant	V/Hz	120Vac/60Hz				
Indice fusibles	A	5AF & 4AT				
Degré de protection selon EN 60529		IPX0D				
Poids (vide)	lbs / kg	196 / 89	110 / 50	117 / 53	141 / 64	141 / 64
Contenance en eau chaudière	gallon/litres	1.8 / 7	0.9 / 3.5	1.3 / 5	1.8 / 7	1.8 / 7
Contenance en eau d'ECS	gallon/litres	3.7 / 14				
Contenance en eau kit hydraulique	gallon/litres	0.74 / 2.8	0.58 / 2.2		0.74 / 2.8	
Temporisation pompe CC	min	5				
Temporisation pompe ECS	min	1				
P _{MS} Pression min./max. de l'eau chauff.	PSI / bar	14-43 / 1-3				
P _{MW} Pression max. ECS	PSI / bar	150 / 10	n.a.	n.a.	n.a.	n.a.
Température maximum eau de départ	°F / °C	176 / 80				
Type de pompe		UPER 20-78	UPER 20-58	UPER 20-78	UPER 20-78	UPER 20-78
Hauteur de refoulement disponible de la pompe CC (ΔT = 25K)	PSI / kPa	2.9 / 20	5.2 / 36	3.0 / 21	2.9 / 20	5.5 / 38
Approbations		ASME, CSA	ASME, CSA	ASME, CSA	ASME, CSA	ASME, CSA
Débit ECS (à ΔT50°F)	gallon/min	6.2				
Débit ECS (à ΔT27.8°C)	litres/min	23.5				
Débit ECS (à ΔT75°F)	gallon/min	4.1				
Débit ECS (à ΔT41.7°C)	litres/min	15.5				
Débit ECS max.	gallon/min	6.2				
	litres/min	23.5				
Différence pression ECS	PSI / bar	4.3 / 0.3				
Numéro de CSA		2183087				
Numéro de CRN		8101.7CL				

Pièces de rechange kit de Conversion Gaz Naturel						
Joint vanne gaz - venturi	809000017	X	X	X	X	X
Joint raccord 3/4" vanne gaz	809000062	X	X	X	X	X
Carte imprimée MCBA Série Q		NAT 804000029 Q175CN	NAT 804000025 Q85SN	NAT 804000026 Q130SN	NAT 804000027 Q175SN	NAT 804000028 Q205SN
Étiquette Conversion gaz		Q175CN	Q85SN	Q130SN	Q175SN	Q205SN
Étiquette Kit de Conversion	8U340700	X	X	X	X	X
Étiquette données kit de conversion		Q175CN	Q85SN	Q130SN	Q175SN	Q205SN
Instructions Kit de Conversion	8U607100	X	X	X	X	X
Indication affichage au démarrage		51t.1	25.1	38.1	51.1	60.1

Spécifications techniques et pièces

table 1

Rinnai®

EXPERIENCE OUR INNOVATION™

800000018 01/2017

Distributor for the USA and Canada

Distributeur pour les Etats-Unis et le Canada

Rinnai America Corporate • 103 International Drive • Peachtree City, GA 30269
Toll Free: (800) 621-9419 • Tel: (678) 829-1700 • Fax: (678) 829-1666 • E-mail: info@rinnai.us • Internet: www.rinnai.us

E. & O. E.

This renewed publication cancels all previous installation instructions. The company reserves the right to change the specifications and dimensions without prior notice.
Cette publication mise à jour annule toutes les instructions d'installation précédentes. La société se réserve le droit de modifier les spécifications et les dimensions sans avis préalable